

**Inlet - outlet - exhaust**

**Certification: No "T" class rating applicable for quick exhaust valves or Ambient temperature identical to media temperatures**

**Atex certification none, not applicable**



**Technical features**

**Max. inlet pressure:**

0.5-12 bar (7-174 psi)

**Temperature ratings:**

Media (min/max): -50°C/80°C  
 (-58°F/176°F)

Ambient: must be used within 'T' class temperature ranges shown

**Process connections:** NPT

**Conduit / Signal Conns:** None

**Media:**

Customer to specify and confirm compatibility

**Operation:**

Automatic

**Leak Performance:**

Bubble tight

**Materials:**

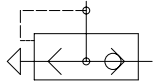
Valve body & trim - 316L stainless steel

O-Rings seats & seals - nitrile

Paint finish - stainless steel

construction - unpainted

**QEV 1/4"**



**Flow rates:**

$C_v = 1.6/2.1$  USgpm for 1 psi  $\Delta p$

$K_v = 23.2/30.5$  l/min for 1 bar (15 psi)  $\Delta p$

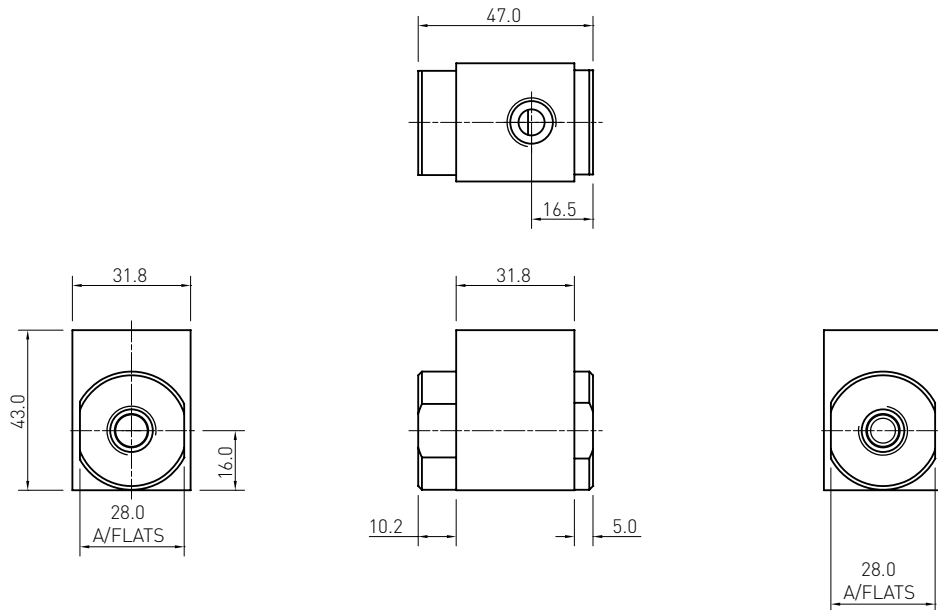
**Port size:** 1/4"

**Weight:** 0.35 kg

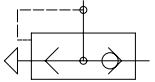
**Ordering information:**

Quote: QEV13AA1H00S

Options: None



**QEV 1/2"**



**Flow rates:**

$C_v = 6.4/5.5$  USgpm for 1 psi  $\Delta p$

$K_v = 92.8/79.8$  l/min for 1 bar (15 psi)  $\Delta p$

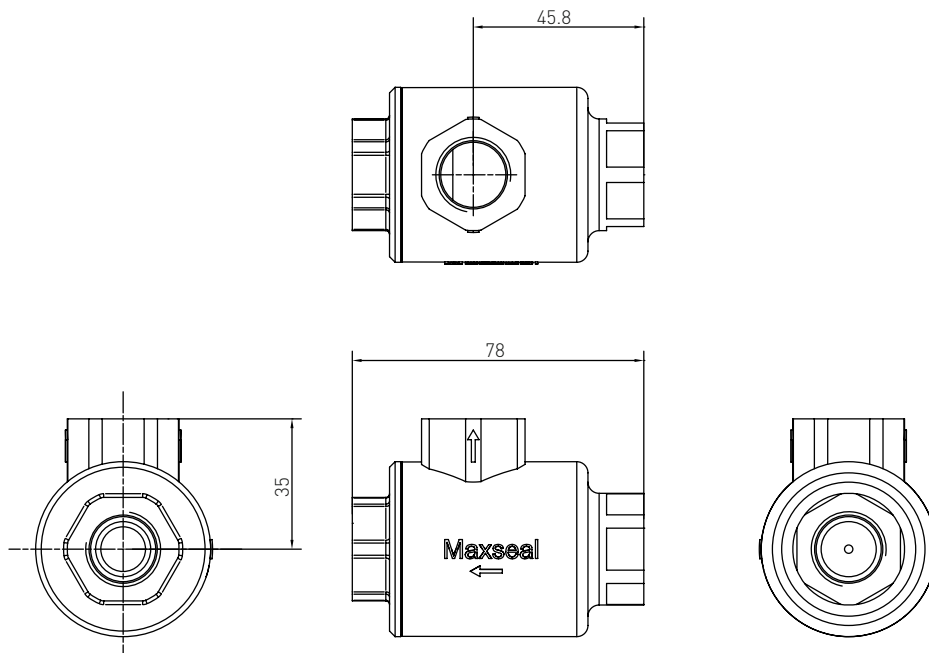
**Port size:** 1/2"

**Weight:** 0.55 kg

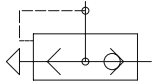
**Ordering information:**

Quote: QEV13AA3H00S

Options: None



Profile and dimensions mm

**QEV 3/4"****Flow rates:**

$C_v = 10.4/10.8$  USgpm for

1 psi  $\Delta p$

$K_v = 149$  l/min for 1 bar

(15 psi)  $\Delta p$

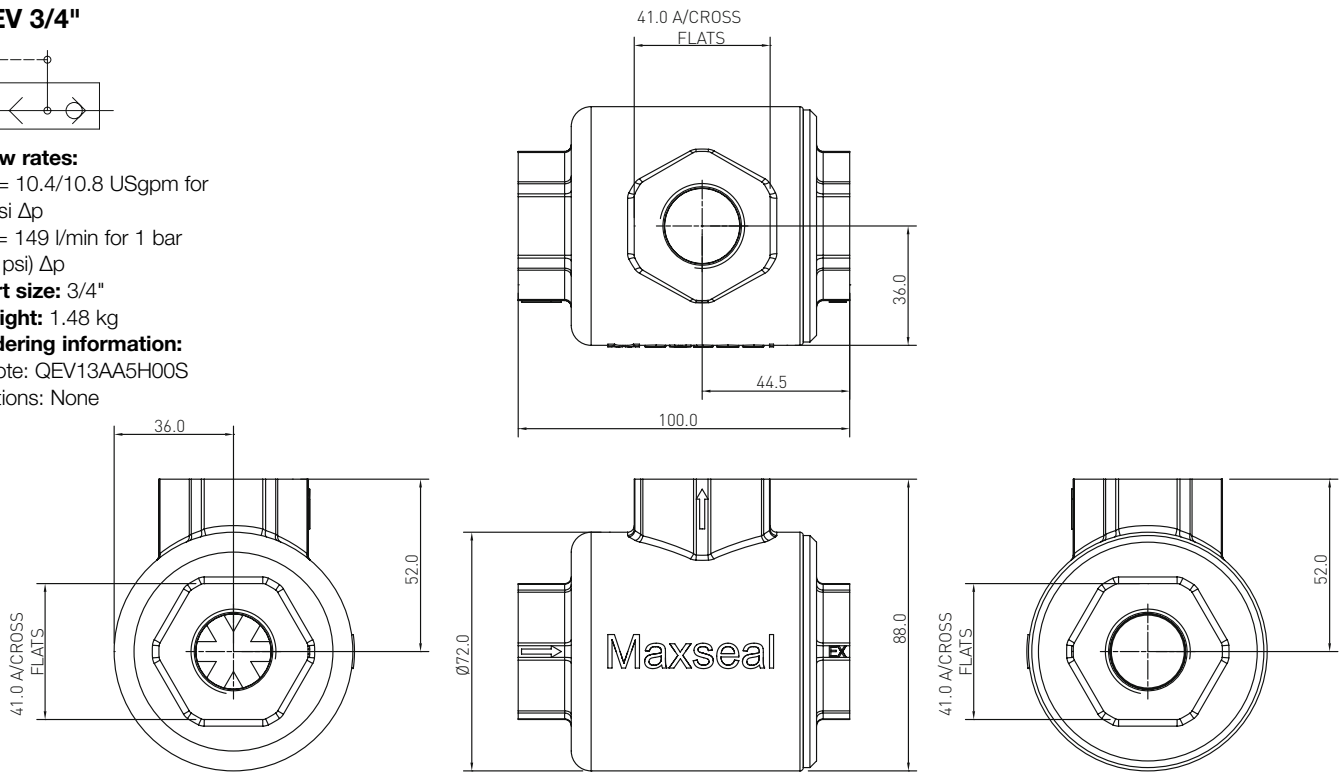
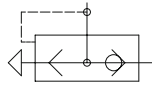
**Port size:** 3/4"

**Weight:** 1.48 kg

**Ordering information:**

Quote: QEV13AA5H00S

Options: None

**QEV 1"****Flow rates:**

$C_v = 10.4/15.4$  USgpm for

1 psi  $\Delta p$

$K_v = 149/221$  l/min for

1 bar (15 psi)  $\Delta p$

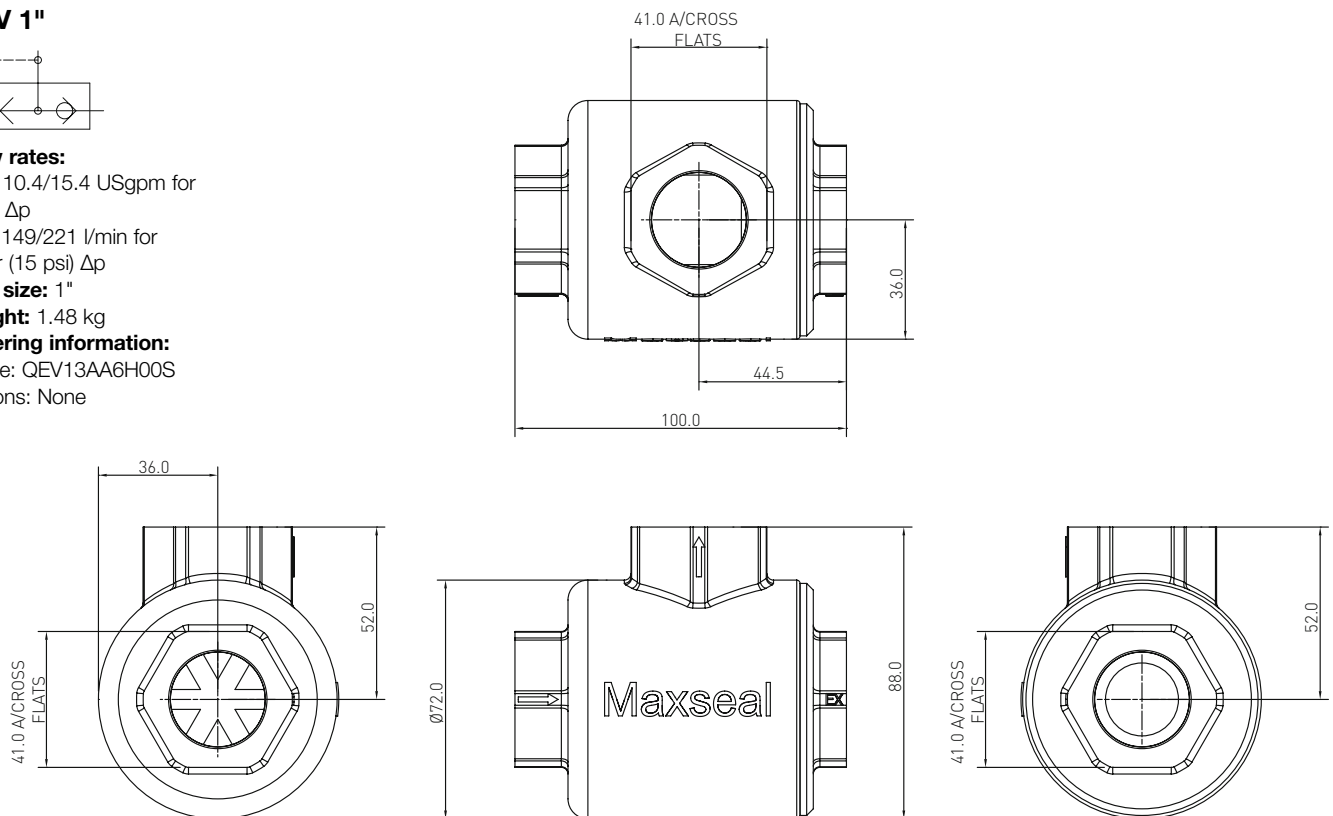
**Port size:** 1"

**Weight:** 1.48 kg

**Ordering information:**

Quote: QEV13AA6H00S

Options: None



Profile and dimensions mm